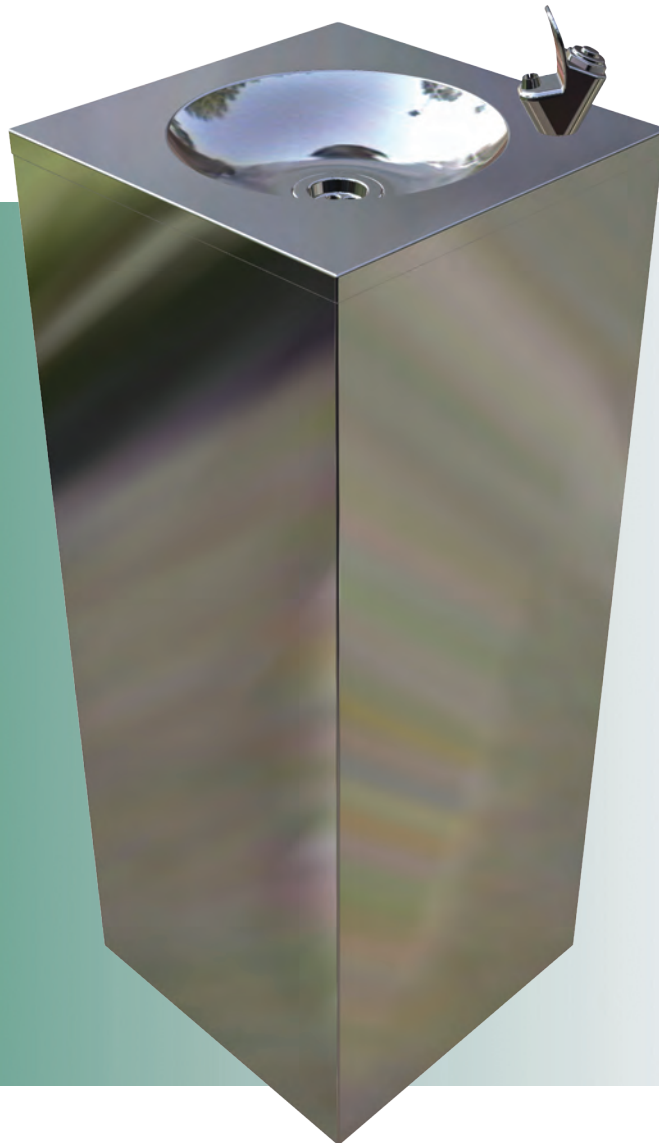


DRINKING FOUNTAIN SQUARE

FEATURES;

- Fully welded construction.
- Secure access panel.
- Easy to clean.
- Ideal for schools, amenities areas, sports pavilions.
- Square pattern.

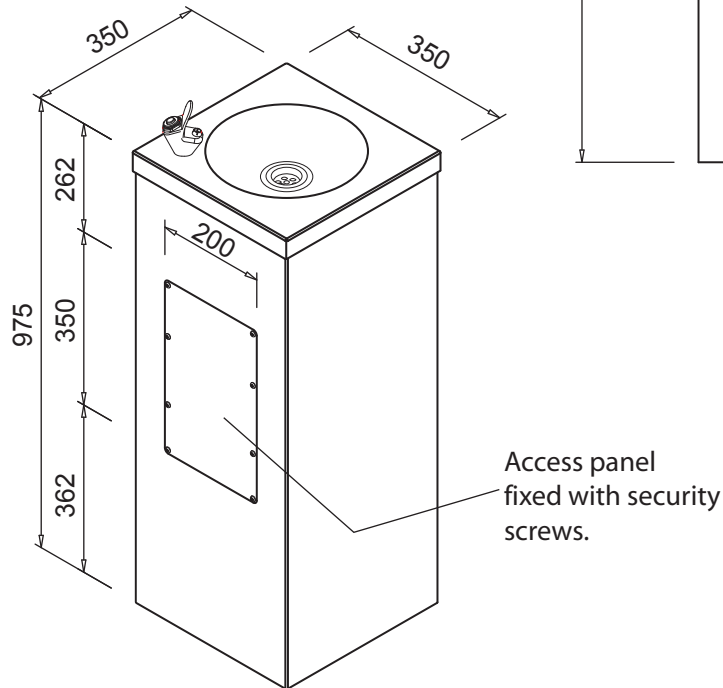
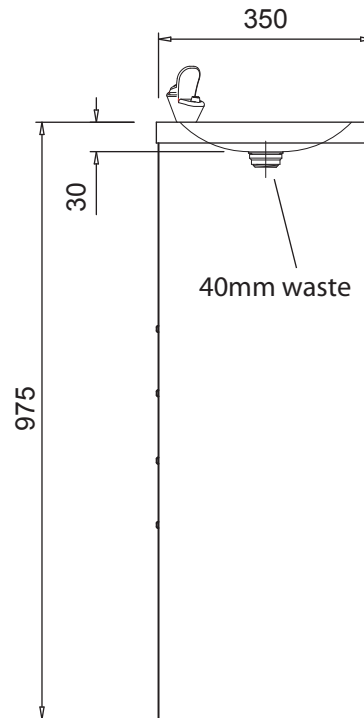
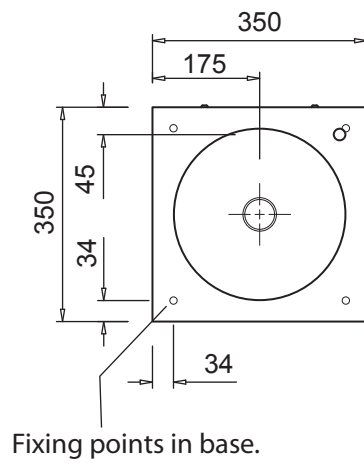


BRITEX

DSS

The **BRITEX Drinking Fountain Square** is manufactured from type 304 stainless steel. This unit is a square model with flush mounted access panel, and anti-vandal hardware at rear, allowing easy access to plumbing.

PRODUCT CODE:

DSS**SPECIFICATIONS**

When specifying this product, please include the following details;

- Product **Name** and **Model No.**

OPTIONS

- Cup filler.

Melbourne
Britex Place, Mirra Court
Bundoora
Victoria 3083
Telephone 1300 764 744
Fax (03) 9466 9044

Sydney
Unit 11, 16-18 Northumberland Rd
Taren Point
New South Wales 2229
Telephone 1300 764 744
Fax (02) 9531 2800



BRITEX
STAINLESS STEEL FABRICATED PRODUCTS

SINCE
1938

www.britex.com.au

e-mail info@britex.com.au

A.B.N. 83 004 309 737

Represented in all states of Australia, throughout Asia and the Pacific Regions.

All product manufacturing by **BRITEX** can be adapted to suit your special application.

Allow 5mm tolerance for setout dimensions given in these drawings. Details accurate at time of print.

As **BRITEX** is always committed to improving on design and quality, it is possible that some details may alter without notice.

DRINKING FOUNTAIN SQUARE